

# SONY®

3-286-052-12(1)

## ■ Wireless ■ Surround Kit

Operating Instructions\_\_\_\_\_ **US**

Mode d'emploi\_\_\_\_\_ **FR**

Manual de instrucciones\_\_\_\_\_ **ES**

WAHT-SA1

**S-master**  
Digital Amplifier

**S-AIR**  
DIGITAL WIRELESS

©2008 Sony Corporation

## Table of Contents

About This Operating Instructions .....	4
Overview .....	4
Unpacking .....	5
Hooking Up .....	6
Connecting the AC Power Cords (Mains Leads) .....	8
Setting up the Wireless System .....	8
Troubleshooting .....	12
Specifications .....	13
Index to Parts .....	15

## WARNING

**To reduce the risk of fire or electric shock, do not expose this apparatus to rain or moisture.**

Do not install the appliance in a confined space, such as a bookcase or built-in cabinet.

To prevent fire or shock hazard, do not place objects filled with liquids, such as vases, on the apparatus.

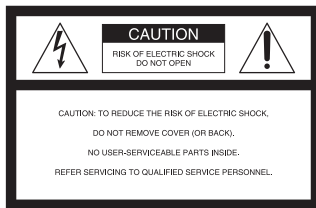
In door use only.

### For the customers in the U.S.A

#### For wireless transceiver (EZW-RT10) and wireless transmitter (EZW-T100)

This transmitter must not be co-located or operated in conjunction with any other antenna or transmitter.

This equipment complies with FCC radiation exposure limits set forth for uncontrolled equipment and meets the FCC radio frequency (RF) Exposure Guidelines in Supplement C to OET65. This equipment should be installed and operated with at least 20 cm and more between the radiator and person's body (excluding extremities: hands, wrists, feet and ankles).



This symbol is intended to alert the user to the presence of uninsulated "dangerous voltage" within the product's enclosure that may be of sufficient magnitude to constitute a risk of electric shock to persons.



This symbol is intended to alert the user to the presence of important operating and maintenance (servicing) instructions in the literature accompanying the appliance.

### Owner's Record

The model and serial numbers are located on the side exterior of the unit. Record the serial number in the space provided below. Refer to them whenever you call upon your Sony dealer regarding this product.

Model No. WAHT-SA1

Serial No. \_\_\_\_\_

Date of Manufacture Marking, Shock Hazard Marking and Associated Graphical Symbols are located on the bottom exterior.

The following FCC statement applies only to the version of this model manufactured for sale in the USA. Other versions may not comply with FCC technical regulations.

### WARNING

This equipment has been tested and found to comply with the limits for a Class B digital device, pursuant to Part 15 of the FCC Rules. These limits are designed to provide reasonable protection against harmful interference in a residential installation. This equipment generates, uses, and can radiate radio frequency energy and, if not installed and used in accordance with the instructions, may cause harmful interference to radio communications. However, there is no guarantee that interference will not occur in a particular installation. If this equipment does cause harmful interference to radio or television

reception, which can be determined by turning the equipment off and on, the user is encouraged to try to correct the interference by one or more of the following measures:

- Reorient or relocate the receiving antenna.
- Increase the separation between the equipment and receiver.
- Connect the equipment into an outlet on a circuit different from that to which the receiver is connected.
- Consult the dealer or an experienced radio/TV technician for help.

## CAUTION

You are cautioned that any changes or modifications not expressly approved in this manual could void your authority to operate this equipment.

## Important Safety Instructions

- 1) Read these instructions.
- 2) Keep these instructions.
- 3) Heed all warnings.
- 4) Follow all instructions.
- 5) Do not use this apparatus near water.
- 6) Clean only with dry cloth.
- 7) Do not block any ventilation openings. Install in accordance with the manufacturer's instructions.
- 8) Do not install near any heat sources such as radiators, heat registers, stoves, or other apparatus (including amplifiers) that produce heat.
- 9) Do not defeat the safety purpose of the polarized or grounding-type plug. A polarized plug has two blades with one wider than the other. A grounding type plug has two blades and a third grounding prong. The wide blade or the third prong are provided for your safety. If the provided plug does not fit into your outlet, consult an electrician for replacement of the obsolete outlet.
- 10) Protect the power cord from being walked on or pinched particularly at plugs, convenience receptacles, and the point where they exit from the apparatus.
- 11) Only use attachments/accessories specified by the manufacturer.

- 12) Use only with the cart, stand, tripod, bracket, or table specified by the manufacturer, or sold with the apparatus. When a cart is used, use caution when moving the cart/apparatus combination to avoid injury from tip-over.



- 13) Unplug this apparatus during lightning storms or when unused for long periods of time.
- 14) Refer all servicing to qualified service personnel. Servicing is required when the apparatus has been damaged in any way, such as power-supply cord or plug is damaged, liquid has been spilled or objects have fallen into the apparatus, the apparatus has been exposed to rain or moisture, does not operate normally, or has been dropped.

## For the customers in Canada

This Class B digital apparatus complies with Canadian ICES-003.

## For wireless transceiver (EZW-RT10) and wireless transmitter (EZW-T100)

This device complies with RSS-Gen of IC Rules. Operation is subject to the following two conditions: (1) this device may not cause interference, and (2) this device must accept any interference, including interference that may cause undesired operation of this device.

This equipment complies with IC radiation exposure limits set forth for uncontrolled equipment and meets RSS-102 of the IC radio frequency (RF) Exposure rules. This equipment should be installed and operated with at least 20 cm and more between the radiator and person's body (excluding extremities: hands, wrists, feet and ankles).

## Precautions

### On power sources

Install this system so that the AC power cord (mains lead) can be unplugged from the wall outlet (mains) immediately in the event of trouble.

### On placement

- Do not place the system in locations that are hot and subject to direct sunlight, dusty, very humid, or extremely cold.

US

- Use caution when placing the system on a specially treated (waxed, oiled, polished, etc.) floor, as staining or discoloration may result.
- Allow adequate air circulation to prevent internal heat buildup.
- Do not place the system on surfaces (rugs, blankets, etc.) or near materials (curtains, draperies) that may block the ventilation slots.
- Do not install the system near heat sources such as radiators or air ducts, or in a place subject to direct sunlight, excessive dust, mechanical vibration or shock.
- Do not install the system in an inclined position. It is designed to be operated in a horizontal position only.
- Keep the system away from equipment with strong magnets, such as microwave ovens, or large loudspeakers.
- Do not place heavy objects on the system.
- If you use more than one set of S-AIR products, position them away from each other to avoid cross talk.
- Install this surround amplifier and S-AIR products at least 50 cm away from people.
- To prevent fire or shock hazard, do not place objects filled with liquids, such as vases, on the apparatus.
- Do not place the system on carpet, as discoloration may result.
- If you use more than one surround amplifier, do not place one on top of the other.

### On cleaning

Clean the cabinets only with a soft dry cloth. Do not use any type of abrasive pad, scouring powder or solvent such as alcohol or benzene.

### Safety

- If anything falls into the cabinet, unplug the unit and have it checked by qualified personnel before operating it any further.
- Unplug the unit from the wall outlet (mains) if you do not intend to use it for an extended period of time. To disconnect the cord, pull it out by the plug, never by the cord.

## About This Operating Instructions

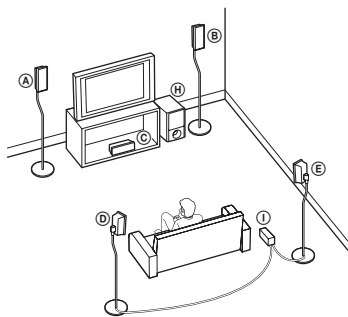
WAHT-SA1 is a surround amplifier for Sony S-AIR products. The amplifier is for models that have an “EZW-RT10” or “EZW-T100” slot on their rear panel.

## Overview

This surround amplifier allows you to use a 5.1 channel system (five speakers and one subwoofer) or 7.1 channel system (seven speakers and one subwoofer).

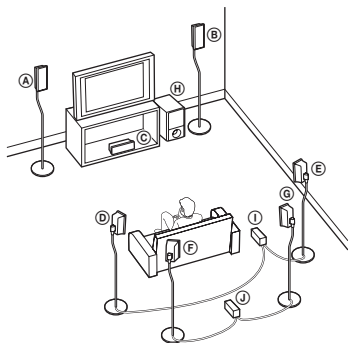
## Enjoying a 5.1 channel system

S-AIR can avoid cluttered cords to keep your room tidy.



## Enjoying a 7.1 channel system

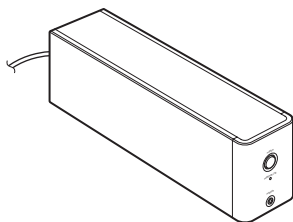
S-AIR makes possible a 7.1 channel system, using two surround and two surround back speakers.



- Ⓐ Front left speaker
- Ⓑ Front right speaker
- Ⓒ Center speaker
- Ⓓ Surround left speaker
- Ⓔ Surround right speaker
- Ⓕ Surround back left speaker
- Ⓖ Surround back right speaker
- Ⓗ Subwoofer
- Ⓘ Surround amplifier  
(for surround speakers)
- Ⓙ Surround amplifier  
(for surround back speakers)

## Unpacking

### Surround amplifier TA-SA100WR (1)



### Speaker cord cover (1)



### Speaker cord holder (1)

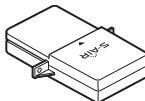


### Wireless adapters

Wireless transceiver (EZW-RT10) (1)



Wireless transmitter (EZW-T100) (1)



### Speaker cords (2)



### Operating Instructions (1)

## Hooking Up

Connect the surround amplifier to your S-AIR main unit.

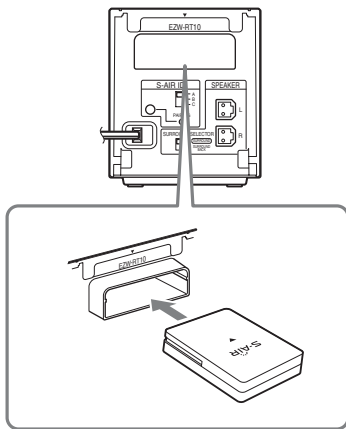
**Before installing, make sure to remove the AC power cords (mains lead) of all S-AIR products from wall outlets (mains).**

### Inserting wireless adapters

#### 1 Insert the wireless transceiver (supplied) in the slot on the rear of the surround amplifier.

**Note**

- Insert the wireless transceiver (supplied) with the S-AIR logo facing up. Also, make sure the ▼ marks on the wireless transceiver (supplied) and the slot on the surround amplifier are aligned when inserting.
- Do not touch the terminals of the wireless adapters.



#### 2 Insert the wireless transmitter (supplied) in the slot on the S-AIR main unit.

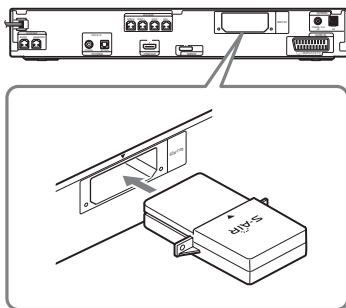
For details, refer to the operating instructions of the S-AIR main unit.

The illustration of the rear panel of an S-AIR main unit is an example. Not all S-AIR main units look exactly the same.

**Note**

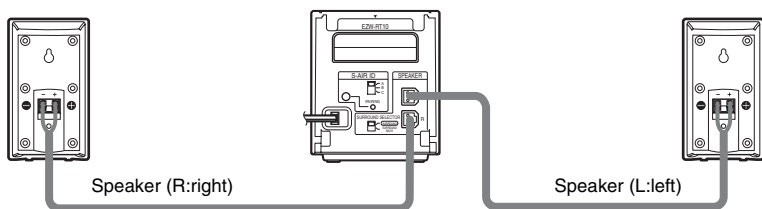
- Insert the wireless transmitter (supplied) with the S-AIR logo facing up. Also, make sure the ▼ marks on the wireless transmitter (supplied) and the slot on the S-AIR main unit are aligned when inserting.
- Do not touch the terminals of the wireless adapters.
- If wireless adapter(s) come with your S-AIR main unit, you do not have to use the wireless transmitter included in this wireless surround kit for your S-AIR main unit. If you do not intend to use the wireless transmitter (supplied) for an extended period of time, do not place it in locations that are hot and subject to direct sunlight.

Rear panel

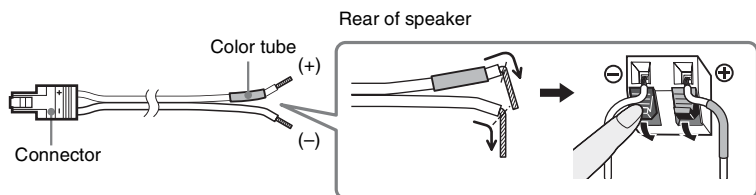


## Connecting the speakers

Insert the connectors of the speaker cords (supplied) into their corresponding speaker jacks. The connectors of the speaker cords are the same color as their corresponding jacks. The speakers shown are for illustration purposes only. Not all the speakers are identical.



The connector and color tube of the speaker cords are the same color as the label of their corresponding jacks. Be sure to match the speaker cords to the appropriate terminals on the speakers: the speaker cord with the color tube to  $\oplus$ , and the speaker cord without the color tube to  $\ominus$ . Do not catch the speaker cord insulation in the speaker terminals.



When connecting to the surround amplifier, insert the connector until it clicks.

### Note

- When you use this wireless surround kit, do not connect the speaker cord(s) to the surround speaker jack(s) on your Sony Home Theatre System (DAV).

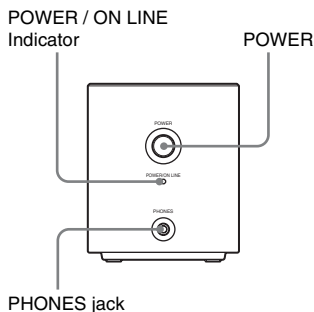
## Connecting the AC Power Cords (Mains Leads)

Before connecting the AC power cords (mains leads) of your S-AIR main unit and the surround amplifier to wall outlets (mains), make sure that all speakers are connected.

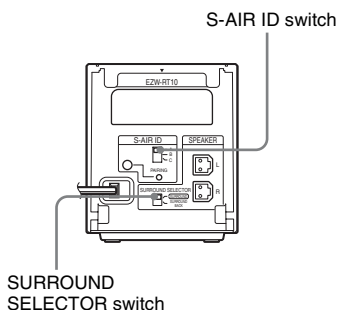
## Setting up the Wireless System

To use the wireless system, you need to set up the surround amplifier and your S-AIR main unit. Before setting, make sure that the wireless adapters are correctly inserted in the S-AIR main unit and surround amplifier.

### Front panel



### Rear panel



### ID setting

By matching the ID of the surround amplifier and your S-AIR main unit, you can establish sound transmission. You can also use multiple S-AIR products by setting a different ID for each product.

### Setting up the S-AIR main unit

- 1** Turn on the S-AIR main unit.  
The system turns on.
- 2** Set up the S-AIR main unit so it is ready for ID setting.
- 3** Select the ID for the S-AIR main unit.

You can select any ID (A, B, or C). For details, refer to the operating instructions of the S-AIR main unit.

### Setting up the surround amplifier

- 1** Set the SURROUND SELECTOR switch (SURROUND or SURROUND BACK) of the surround amplifier to match the S-AIR main unit.
- 2** Set the S-AIR ID switch of the surround amplifier to match the ID (A, B, or C) of the S-AIR main unit.



### 3 Press **POWER** on the surround amplifier.

The **POWER / ON LINE** indicator turns green. If not, see “Checking the transmission status” (page 9).

### 4 Set up the speakers.

If the S-AIR main unit has the Auto Calibration function, perform Auto Calibration. If the S-AIR main unit does not have the Auto Calibration function, perform the appropriate speaker setting. For details, refer to the operating instructions of the S-AIR main unit.

---

## Checking the transmission status

You can check the status of sound transmission between the S-AIR main unit and surround amplifier by checking the **POWER / ON LINE** indicator on the surround amplifier.

<b>POWER / ON LINE indicator</b>	<b>Status</b>
Turns green	Sound transmission is established.
Flashes green	Sound transmission is not established. For details, see “Troubleshooting” (page 12).
Turns red	The surround amplifier does not output sound. For details, see “Troubleshooting” (page 12).
Turns off	The surround amplifier turns off or its protection is active. For details, see “Troubleshooting” (page 12).

---

## Enjoying the sound by using headphones

You can enjoy the system’s sound in a place away from the S-AIR main unit by connecting the headphones to the **PHONES** jack on the surround amplifier.

### Note

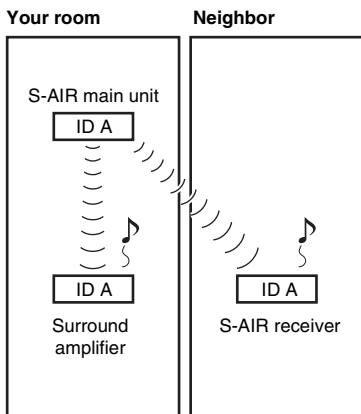
- When you connect headphones to the surround amplifier, neither the surround amplifier nor the S-AIR main unit outputs sound from the system’s speakers.
- The volume of the S-AIR main unit is minimized if you turn off the surround amplifier with headphones connected, or radio reception is poor. In either case, check radio reception, and set the volume again.

## Preventing transmission to neighbors (Pairing)

If your neighbors also have S-AIR products and their IDs are the same as yours, your neighbors could receive the sound of your S-AIR main unit. To prevent this, you can identify your S-AIR products by performing the pairing operation.

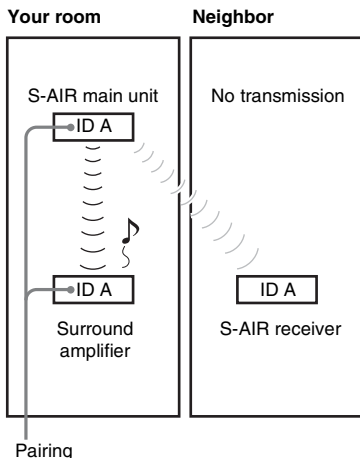
### ■ Before the pairing operation (example)

The sound transmission is established by the ID.



### ■ After the pairing operation (example)

Sound transmission is established between the surround amplifier and the S-AIR main unit that performed the pairing operation.



- Pairing
- 1 Turn on the S-AIR main unit and the surround amplifier.

The system turns on.

- 2 Match the IDs of the S-AIR main unit and the surround amplifier.

- 3 Set up the S-AIR main unit so it is ready for pairing.

For details, refer to the operating instructions of the S-AIR main unit.

The POWER / ON LINE indicator on the surround amplifier flashes green.

- 4 Press PAIRING on the rear panel of the surround amplifier.

The PAIRING indicator flashes red when pairing starts.

When sound transmission is established, the POWER / ON LINE indicator turns green and the PAIRING indicator turns on.

If you use more than one surround amplifier, perform Steps 3 and 4 for those also.

**Note**

- If you perform the pairing operation between the surround amplifier and another S-AIR main unit, sound transmission established by the ID is canceled.
- Pairing will not be canceled unless you change the ID setting.

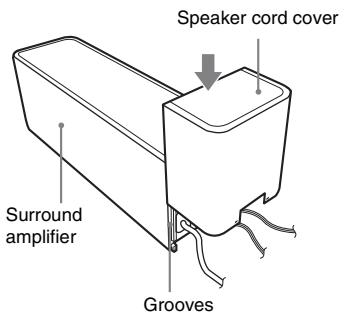
**Tip**

- To press the PAIRING button, a slim instrument, such as a paper clip, can be used.

## Attaching the cover to the surround amplifier

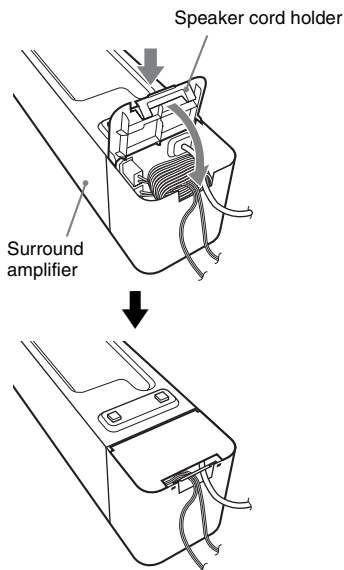
After connecting, you can attach the cover to the surround amplifier to organize and store excess speaker cords.

- 1 Attach the speaker cord cover by sliding it down along the grooves on the edges of the surround amplifier.**



Push the speaker cord cover down until you hear a click. Turn the surround amplifier upside down, and store the cords in the speaker cord cover.

- 2 Insert the tabs of the speaker cord holder in the slots of the speaker cord cover, and press it into place.**

**Note**

- When detaching, remove the speaker cord holder, then remove the speaker cord cover. To remove the speaker cord holder, slightly press the catch of the holder and lift off. To remove the speaker cord cover, slightly splay open the edges of the cover and slide down.
- Do not use excessive force to store the cords.

## Troubleshooting

If you experience any of the following difficulties while using the system, use this troubleshooting guide to help remedy the problem before requesting repairs. Should any problem persist, consult your nearest Sony dealer.

Note that if service personnel changes some parts during repair, these parts may be retained.

In the event of a problem with the surround amplifier, have a Sony dealer check the entire system together (system, speakers, and wireless adapters).

### Power

---

**The power is not turned on.**

- Check that the AC power cord (mains lead) is connected securely.

---

**The POWER / ON LINE indicator does not turn on.**

**Turn off the surround amplifier and remove the AC power cord (main leads) of the surround amplifier, then check the following items.**

- Are the + and – speaker cords short-circuited?
- Is anything blocking the ventilation holes of the surround amplifier?
- After checking the above items and fixing any problems, connect the AC power cord (mains lead) of the surround amplifier and turn on. If the cause of the problem cannot be found even after checking all the above items, consult your nearest Sony dealer.

### Sound

---

**There is no sound.**

**Check the status of the POWER / ON LINE indicator on the surround amplifier.**

- turns green
  - The speaker cord is not connected securely.
  - Check the speaker connections and settings.
  - The volume of the S-AIR main unit is set to minimum.
  - The S-AIR main unit is in mute status.
  - Depending on the source or the settings of the S-AIR main unit, the effect of the speakers may be less noticeable.
  - Headphones are connected.
- flashes green

- The S-AIR main unit is not turned on.
- The S-AIR main unit is paired to another S-AIR product.
- The surround amplifier is paired to another S-AIR main unit.
- Confirm the IDs of the S-AIR main unit and surround amplifier (page 8).
- Pairing operation is not completed.
- Sound transmission is poor. Move the surround amplifier so that the POWER / ON LINE indicator turns green.
- Move the system away from any other wireless products.
- Stop using another wireless product.
- The wireless transmitter and/or the wireless transmitter are/is not inserted correctly.
- turns red
  - Change the SURROUND SELECTOR switch (SURROUND or SURROUND BACK) of the surround amplifier to match the S-AIR main unit.

---

**No sound is heard from the S-AIR main unit.**

- Volume becomes the minimum when you turn off the surround amplifier with headphones connected before you turn off the S-AIR main unit or if radio reception is poor. In these cases, check radio reception, and set the volume again.

---

**Severe hum or noise is heard.**

- Check that the S-AIR products are connected securely.
- Check that the connecting cords are away from a transformer or motor, and at least 3 meters (10 ft) away from your TV set or a fluorescent light.
- Move your TV away from the audio components.
- The plugs and jacks are dirty. Wipe them with a cloth slightly moistened with alcohol.
- Clean the disc.

---

**No sound or only a very low-level sound is heard from the speakers.**

- Check the speaker connections and settings.
- Check the decoding mode setting.
- Depending on the source, the effect of the speakers may be less noticeable.
- Wireless setting of the speaker is not correct.
- A 2 channel source is being played.

---

**No sound is heard or sound is cut off.**

- The S-AIR main unit and/or the surround amplifier is installed in a place such as on a metal shelf.
- Wireless LANs, a microwave (oven) and Bluetooth applications, etc. are placed near the surround amplifier.

- Move away the other components from the surround amplifier or turn off the other components.

## Operation

**The system does not work normally.**

- Disconnect the AC power cord (mains lead) from the wall outlet (mains), then reconnect after several minutes.

## Specifications

### TA-SA100WR (Surround amplifier)

#### AUDIO POWER SPECIFICATIONS for the US model

POWER OUTPUT AND TOTAL  
HARMONIC DISTORTION:

With 3 ohm loads,  
both channels  
driven, from 120 -  
20,000 Hz; rated 50  
watts per channel  
minimum RMS  
power, with no  
more than 0.7 %  
total harmonic  
distortion from 250  
milliwatts to rated  
output.

#### Amplifier section

US models:

Surround mode (reference) RMS output power  
: 143W (per  
channel at 3 ohms,  
1 kHz, 10 % THD)

Other models:

Stereo mode (rated) 80 W + 80 W (at  
3 ohms, 1 kHz, 1 %  
THD)

Surround mode (reference) RMS output power  
: 143 W (per  
channel at 3 ohms,  
1 kHz, 10 % THD)

\* Depending on the source, there may be no  
sound output.

Rated impedance: 3 - 16  $\Omega$

#### General

Power requirements:

North American models: 120 V AC, 60 Hz

Mexican models: 120 V AC, 60 Hz

Taiwan models: 120 V AC,  
50/60 Hz

Latin American models:	110 V – 240 V AC, 50/60 Hz
Other models:	220 V – 240 V AC, 50/60 Hz
Power consumption	On: 50 W
Dimensions (approx.)	85 mm × 100 mm × 330 mm (3 <sup>3</sup> / <sub>8</sub> in × 4 in × 13 in) (w/h/d) (incl. EZW-RT10) 85 mm × 100 mm × 345 mm (3 <sup>3</sup> / <sub>8</sub> in × 4 in × 13 <sup>5</sup> / <sub>8</sub> in) (w/h/d) incl. speaker cord cover and speaker cord holder
Mass (approx.)	1.7 kg (3 lb 12 oz) incl. speaker cord cover and speaker cord holder

### EZW-RT10

Communication System	S-AIR Specification version 1.0
Output	12.0 mW
Frequency band	2.4000 GHz - 2.4835 GHz
Modulation method	DSSS
Power requirements	DC 3.3 V, 350 mA
Dimensions (approx.)	50 mm × 13 mm × 60 mm (2 in × 1 <sup>7</sup> / <sub>32</sub> in × 2 <sup>3</sup> / <sub>8</sub> in) (w/h/d)
Mass (approx.)	24g (1 oz)

### EZW-T100

Communication System	S-AIR Specification version 1.0
Output	12.0 mW
Frequency band	2.4000 GHz - 2.4835 GHz
Modulation method	DSSS
Power requirements	DC 4 V, 550 mA DC 5 V, 15 mA

Dimensions (approx.)	52 mm × 24 mm × 95 mm (2 <sup>1</sup> / <sub>8</sub> in × 3 <sup>1</sup> / <sub>32</sub> in × 3 <sup>3</sup> / <sub>4</sub> in) (max 77 mm × 24 mm × 95 mm) (3 <sup>1</sup> / <sub>8</sub> in × 3 <sup>1</sup> / <sub>32</sub> in × 3 <sup>3</sup> / <sub>4</sub> in) (w/h/d)
Mass (approx.)	61g (3 oz)

Design and specifications are subject to change without notice.

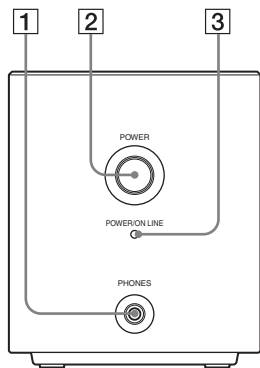
“S-AIR” and its logo are trademarks of Sony Corporation.



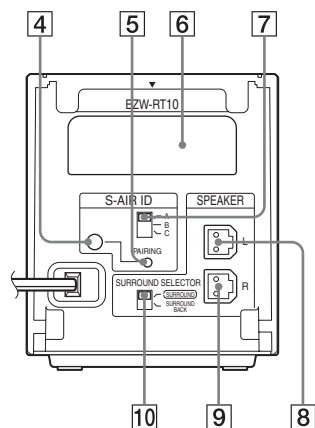
- Halogenated flame retardants are not used in the printed wiring boards.
- Over 85 % power efficiency of amplifier block is achieved with the full digital amplifier, S-master.
- Packaging cushions are made of paper.

## Surround amplifier

**Front panel**



**Rear panel**



- 1 PHONES jack
- 2 POWER button (ON/OFF)
- 3 POWER / ON LINE indicator
- 4 PAIRING indicator
- 5 PAIRING button
- 6 Wireless transceiver (EZW-RT10) slot
- 7 S-AIR ID switch
- 8 SPEAKER L jack
- 9 SPEAKER R jack
- 10 SURROUND SELECTOR switch

## Table des matières

A propos de ce Mode d'emploi .....	3
Description générale .....	3
Déballage .....	4
Raccordements .....	5
Raccordement des cordons d'alimentation .....	7
Configuration du système sans fil .....	7
Dépannage .....	11
Spécifications .....	12
Index des composants .....	14

## AVERTISSEMENT

### Pour réduire les risques d'incendie ou d'électrocution, gardez cet appareil à l'abri de la pluie et de l'humidité.

N'installez pas l'appareil dans un espace confiné comme dans une bibliothèque ou un meuble encastré.

Pour prévenir tout risque d'incendie ou d'électrocution, ne placez pas d'objets remplis de liquides, comme des vases, sur l'appareil.

Utilisation à l'intérieur uniquement.

### Pour les clients au Canada

Cet appareil numérique de la classe B est conforme à la norme NMB-003 du Canada.

### Pour l'émetteur-récepteur sans fil (EZW-RT10) et l'émetteur sans fil (EZW-T100)

Cet appareil est conforme au RSS-Gen des règlements IC. Le fonctionnement est soumis aux deux conditions suivantes : (1) Cet appareil ne peut pas provoquer d'interférences nuisibles et (2) cet appareil doit accepter toute interférence susceptible de provoquer un fonctionnement non souhaité.

Cet équipement est conforme aux limites d'exposition aux rayonnements d'IC définies pour les appareils non commandés et est conforme à la RSS-102 des Règles d'exposition aux hautes

fréquences d'IC. Cet équipement doit être situé et utilisé à 20 cm minimum d'un radiateur et de toute personne (à l'exception des extrémités : mains, poignets, pieds et chevilles).

## Précautions

### Alimentation

Installez ce système de façon à pouvoir débrancher immédiatement le cordon d'alimentation de la prise murale en cas de problème.

### Installation

- Evitez d'installer le système dans un endroit trop chaud ou trop froid, ou exposé à la lumière directe du soleil, à la poussière ou à l'humidité.
- Soyez particulièrement prudent lorsque vous placez le système sur une surface ayant subi un traitement spécial (cirée, huilée, polie, etc.), car il peut laisser des taches ou entraîner la décoloration du revêtement de sol.
- Prévoyez une circulation d'air suffisante de manière à éviter toute surchauffe interne.
- Ne placez pas le système sur une surface moelleuse (comme un tapis, une couverture, etc.) ou près de tissus (comme un rideau ou une tenture) risquant de bloquer les fentes d'aération.
- N'installez pas le système à proximité de sources de chaleur telles que des radiateurs ou des conduites d'air chaud, ni à des endroits exposés à la lumière directe du soleil, à une poussière excessive, à des vibrations mécaniques ou à des chocs.
- N'installez pas le système en position inclinée. Ce système est conçu pour fonctionner uniquement à l'horizontale.
- Gardez le système à l'écart de tout équipement contenant des aimants puissants, par exemple des fours à micro-ondes ou de puissants haut-parleurs.
- Ne posez pas d'objets lourds sur le système.
- Si vous utilisez plusieurs produits S-AIR, éloignez-les les uns des autres afin d'éviter toute diaphonie.
- Installez cet amplificateur surround et les produits S-AIR à 50 cm au moins de toute personne.
- Pour prévenir tout risque d'incendie ou d'électrocution, ne placez pas d'objets remplis de liquides, comme des vases, sur l'appareil.
- Ne posez pas le système sur un tapis, car celui-ci risquerait de se décolorer.
- Si vous utilisez plusieurs amplificateurs surround, ne les superposez pas.



## Entretien

Nettoyez les boîtiers uniquement avec un chiffon sec. N'utilisez pas de tampons abrasifs, de poudre à récurer ou de solvant tel que l'alcool ou le benzène.

## Sécurité

- Si un objet ou du liquide venait à pénétrer à l'intérieur du boîtier, débranchez l'appareil et faites-le vérifier par un personnel qualifié avant de le remettre en marche.
- Débranchez l'appareil de la prise murale si vous prévoyez de ne pas l'utiliser pendant une période prolongée. Pour débrancher le cordon, tirez sur la fiche, mais ne tirez jamais sur le cordon proprement dit.

## A propos de ce Mode d'emploi

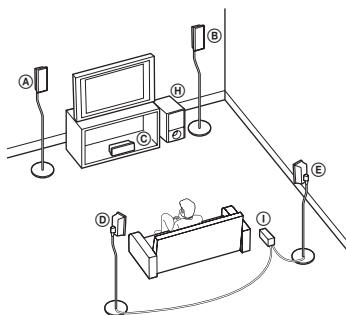
Le WAHT-SA1 est un amplificateur surround pour produits Sony S-AIR. L'amplificateur est destiné aux modèles dont le panneau arrière présente un emplacement « EZW-RT10 » ou « EZW-T100 ».

## Description générale

Cet amplificateur surround vous permet d'utiliser un système 5.1 canaux (cinq enceintes et un caisson de graves) ou un système 7.1 canaux (sept enceintes et un caisson de graves).

## Utilisation d'un système 5.1 canaux

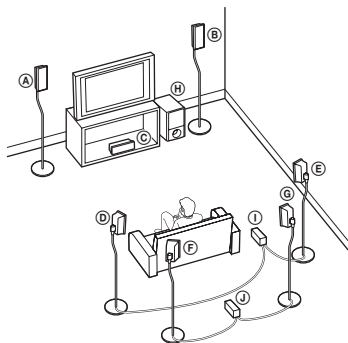
S-AIR élimine les cordons et votre pièce est toujours parfaitement rangée.



FR

## Utilisation d'un système 7.1 canaux

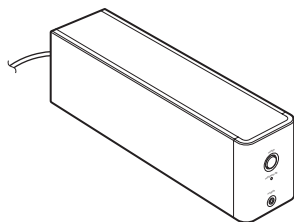
S-AIR permet d'utiliser un système 7.1 canaux comprenant deux enceintes surround et deux enceintes arrière surround.



- Ⓐ Enceinte avant gauche
- Ⓑ Enceinte avant droite
- Ⓒ Enceinte centrale
- Ⓓ Enceinte gauche surround
- Ⓔ Enceinte droite surround
- Ⓕ Enceinte gauche arrière surround
- Ⓖ Enceinte droite arrière surround
- Ⓗ Caisson de graves
- Ⓘ Amplificateur surround  
(pour enceintes surround)
- Ⓙ Amplificateur surround  
(pour enceintes arrière surround)

## Déballage

### Amplificateur surround TA-SA100WR (1)



### Cache du cordon d'enceinte (1)



### Support du cordon d'enceinte (1)

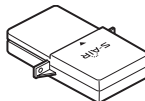


### Adaptateurs sans fil

Emetteur-récepteur sans fil (EZW-RT10) (1)



Emetteur sans fil (EZW-T100) (1)



### Cordons d'enceinte (2)



### Mode d'emploi (1)

## Raccordements

Raccordez l'amplificateur surround à votre unité principale S-AIR.

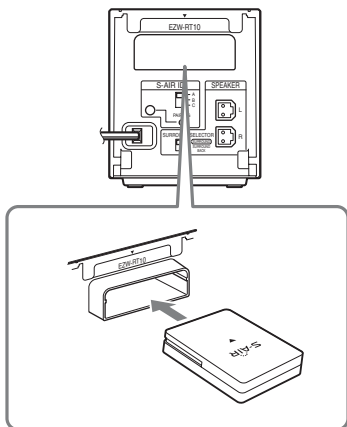
**Avant de procéder à l'installation, assurez-vous d'avoir débranché des prises murales les cordons d'alimentation de tous les produits S-AIR.**

### Insertion des adaptateurs sans fil

**1** Insérez l'émetteur-récepteur sans fil (fourni) dans l'emplacement situé à l'arrière de l'amplificateur surround.

#### Remarque

- Insérez l'émetteur-récepteur sans fil (fourni) en dirigeant le logo S-AIR vers le haut. Au moment de l'insertion, vérifiez aussi si les repères ▼ de l'émetteur-récepteur sans fil (fourni) sont bien alignés sur l'emplacement de l'amplificateur surround.
- Ne touchez pas les bornes des adaptateurs sans fil.



**2** Insérez l'émetteur sans fil (fourni) dans l'emplacement de l'unité principale S-AIR.

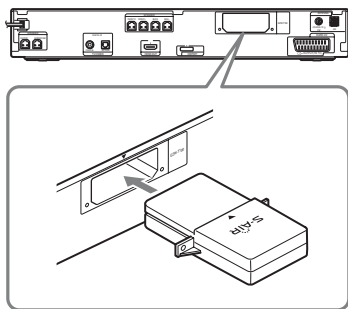
Pour plus d'informations, reportez-vous au mode d'emploi de l'unité principale S-AIR.

Le panneau arrière de l'unité principale S-AIR est illustré à titre d'exemple. Toutes les unités principales S-AIR ne se ressemblent pas exactement.

#### Remarque

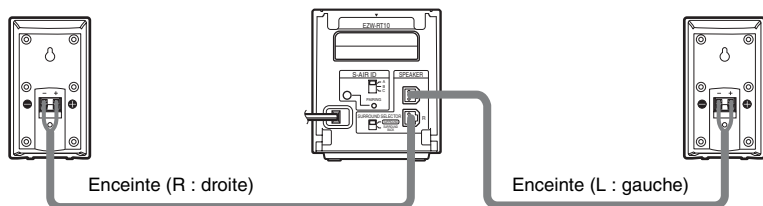
- Insérez l'émetteur sans fil (fourni) en dirigeant le logo S-AIR vers le haut. Au moment de l'insertion, vérifiez aussi si les repères ▼ de l'émetteur sans fil (fourni) sont bien alignés sur l'emplacement de l'unité principale S-AIR.
- Ne touchez pas les bornes des adaptateurs sans fil.
- Si un ou plusieurs adaptateurs sans fil sont fournis avec votre unité principale S-AIR, vous n'avez pas besoin d'utiliser l'émetteur sans fil de ce kit surround sans fil avec votre unité principale S-AIR. Si vous n'envisagez pas d'utiliser l'émetteur sans fil (fourni) pendant une période prolongée, ne le placez pas dans un endroit soumis à la chaleur ou aux rayons directs du soleil.

Panneau arrière

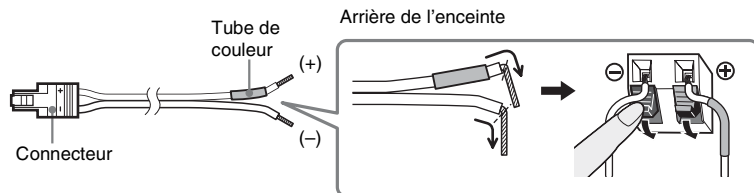


## Raccordement des enceintes

Insérez les connecteurs des cordons d'enceinte (fournis) dans les prises enceinte correspondantes. Les connecteurs des cordons d'enceinte sont de la même couleur que les prises auxquelles ils correspondent. Les enceintes illustrées ici le sont simplement à titre d'exemple. Toutes les enceintes ne sont pas identiques.



Le connecteur et le tube de couleur des cordons d'enceinte possèdent la même couleur que l'étiquette des prises auxquelles ils correspondent. Veillez à raccorder les cordons d'enceinte aux bornes appropriées des enceintes : le cordon d'enceinte avec le tube de couleur doit être raccordé à la borne  $\oplus$  tandis que le cordon d'enceinte dépourvu de tube de couleur doit être raccordé à la borne  $\ominus$ . Veillez à ne pas coincer l'isolant du cordon d'enceinte dans les bornes des enceintes.



Lorsque vous raccordez l'amplificateur surround, insérez le connecteur jusqu'à ce que vous entendiez un déclic.

### Remarque

- Lorsque vous utilisez ce kit surround sans fil, ne raccordez pas le(s) cordon(s) d'enceinte à la (aux) prise(s) d'enceinte surround de votre Home Theatre System (DAV) Sony.

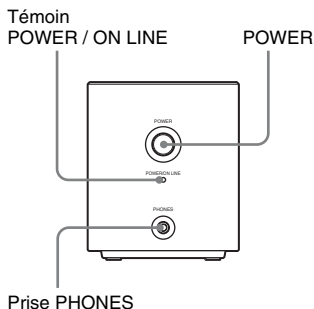
## Raccordement des cordons d'alimentation

Avant de raccorder les cordons d'alimentation de l'unité principale S-AIR et l'amplificateur surround aux prises murales, assurez-vous que toutes les enceintes sont raccordées.

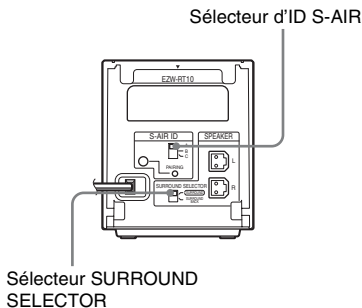
## Configuration du système sans fil

Pour utiliser le système sans fil, vous devez configurer l'amplificateur surround et l'unité principale S-AIR. Auparavant, assurez-vous que les adaptateurs sans fil sont correctement insérés dans l'unité principale S-AIR et dans l'amplificateur surround.

### Panneau frontal



### Panneau arrière



## Définition de l'ID

En faisant correspondre l'ID de l'amplificateur surround avec votre unité principale S-AIR, vous pouvez établir la transmission du son. Vous pouvez également utiliser plusieurs produits S-AIR en définissant un ID différent pour chaque produit.

## Configuration de l'unité principale S-AIR

- 1 Mettez l'unité principale S-AIR sous tension.**  
Le système s'allume.
- 2 Configurez l'unité principale S-AIR afin qu'elle soit prête pour la définition de l'ID.**
- 3 Sélectionnez l'ID de l'unité principale S-AIR.**

Vous pouvez choisir n'importe quelle ID (A, B ou C).  
Pour plus d'informations, reportez-vous au mode d'emploi de l'unité principale S-AIR.

## Configuration de l'amplificateur surround

**1** Réglez le sélecteur SURROUND SELECTOR (SURROUND ou SURROUND BACK) de l'amplificateur surround en fonction de l'unité principale S-AIR.

**2** Réglez le sélecteur d'ID S-AIR de l'amplificateur surround en fonction de l'ID (A, B ou C) de l'unité principale S-AIR.

**3** Appuyez sur la touche POWER de l'amplificateur surround.

Le témoin POWER / ON LINE vire au vert. Sinon, reportez-vous à la section « Vérification de l'état de la transmission » (page 8).

**4** Configurez les enceintes.

Si l'unité principale S-AIR possède la fonction d'égalisation automatique, exécutez l'égalisation automatique. Si l'unité principale S-AIR ne possède pas la fonction d'égalisation automatique, procédez au réglage approprié des enceintes. Pour plus d'informations, reportez-vous au mode d'emploi de l'unité principale S-AIR.

## Vérification de l'état de la transmission

Vous pouvez vérifier l'état de la transmission du son entre l'unité principale S-AIR et l'amplificateur surround en contrôlant le témoin POWER / ON LINE de l'amplificateur surround.

Témoin	Etat
POWER / ON LINE	
Vire au vert	La transmission du son est établie.
Clignote en vert	La transmission du son n'est pas établie. Pour plus d'informations, reportez-vous à la section « Dépannage » (page 11).
Vire au rouge	L'amplificateur surround ne reproduit aucun son. Pour plus d'informations, reportez-vous à la section « Dépannage » (page 11).
S'éteint	L'amplificateur surround s'éteint ou sa protection est active. Pour plus d'informations, reportez-vous à la section « Dépannage » (page 11).

## Ecoute du son à l'aide d'un casque

Vous pouvez écouter le son du système loin de l'unité principale S-AIR en raccordant le casque à la prise PHONES de l'amplificateur surround.

### Remarque

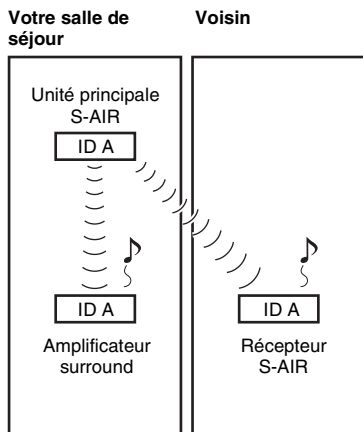
- Lorsque vous raccordez le casque à l'amplificateur surround, ni celui-ci, ni l'unité principale S-AIR ne reproduit le son par l'intermédiaire des enceintes du système.
- Le volume de l'unité principale S-AIR est réduit si vous éteignez l'amplificateur surround alors qu'un casque lui est raccordé, ou si la réception des ondes radio est de mauvaise qualité. Dans ce cas, vérifiez la réception radio et réglez de nouveau le volume.

## Protection contre la transmission au voisinage (Jumelage)

Si vos voisins sont également équipés de produits S-AIR et s'ils ont choisi les mêmes ID que vous, ils pourraient capter le son de votre unité principale S-AIR. Pour empêcher cela, vous pouvez identifier vos produits S-AIR en les jumelant.

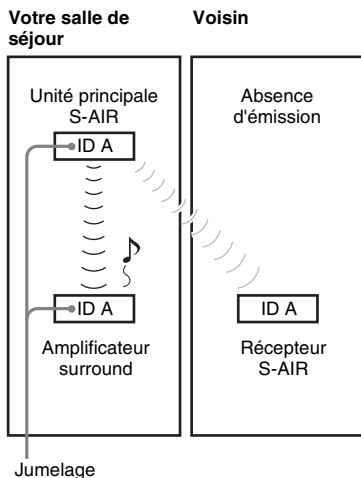
### ■ Avant le jumelage (exemple)

La transmission du son est définie par l'ID.



### ■ Après le jumelage (exemple)

La transmission du son est établie entre l'amplificateur surround et l'unité principale S-AIR qui a procédé au jumelage.



- 1 Mettez sous tension l'unité principale S-AIR et l'amplificateur surround.**  
Le système s'allume.
- 2 Faites correspondre les ID de l'unité principale S-AIR et de l'amplificateur surround.**
- 3 Configurez l'unité principale S-AIR afin qu'elle soit prête pour le jumelage.**

Pour plus d'informations, reportez-vous au mode d'emploi de l'unité principale S-AIR.

Le témoin POWER / ON LINE de l'amplificateur surround clignote en vert.

- 4 Appuyez sur la touche PAIRING du panneau arrière de l'amplificateur surround.**

Le témoin PAIRING clignote en rouge dès que le jumelage commence.

Lorsque la transmission du son est établie, le témoin POWER / ON LINE vire au vert et le témoin PAIRING s'allume.

Si vous utilisez plusieurs amplificateurs surround, exécutez également les étapes 3 et 4 pour ceux-ci.

#### Remarque

- Si vous exécutez le jumelage entre l'amplificateur surround et une autre unité principale S-AIR, la transmission du son établie par l'ID est annulée.
- Le jumelage n'est annulé que si vous modifiez l'ID qui a été définie.

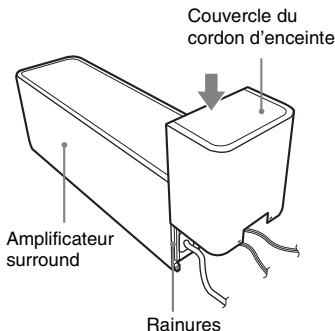
#### Conseil

- Pour appuyer sur la touche PAIRING, vous devez utiliser un objet fin, notamment un trombone.

## Fixation du couvercle à l'amplificateur surround

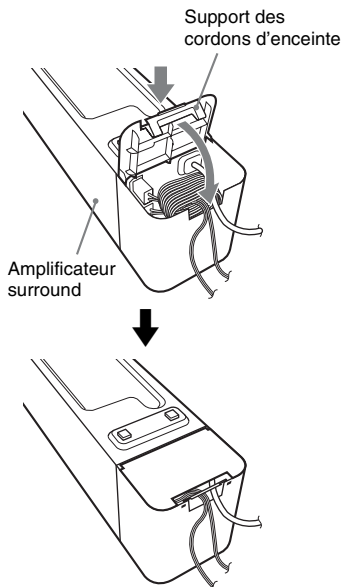
Une fois la connexion établie, vous pouvez fixer le couvercle de l'amplificateur surround pour regrouper et ranger les longueurs excédentaires des cordons d'enceinte.

- 1 Fixez le couvercle du cordon d'enceinte en le faisant glisser le long des rainures des bords de l'amplificateur surround.**



Faites glisser le couvercle du cordon d'enceinte vers le bas jusqu'à ce qu'il émette un déclic. Retournez l'amplificateur surround et rangez les cordons dans le cache du cordon d'enceinte.

- 2 Insérez les languettes du support des cordons d'enceinte dans les fentes du couvercle des cordons d'enceinte, puis appuyez dessus pour le fixer.**



#### Remarque

- Lorsque vous retirez le cache des cordons d'enceinte, retirez le support du cordon d'enceinte, puis le cache proprement dit. Pour retirer le support du cordon d'enceinte, appuyez légèrement sur la patte du support et soulevez-le. Pour retirer le cache des cordons d'enceinte, écarter légèrement les bords du cache et faites-le glisser vers le bas.
- Ne forcez pas lorsque vous rangez les cordons.



## Dépannage

Si vous rencontrez l'une des difficultés suivantes lors de l'utilisation de ce système, consultez ce guide de dépannage pour tenter de remédier au problème. Si le problème persiste, consultez votre revendeur Sony le plus proche.

Notez que si le technicien remplace des pièces au cours d'une réparation, elles ne vous sont pas nécessairement rendues.

En cas de problème avec l'amplificateur surround, demandez à un revendeur Sony de vérifier le bon fonctionnement de l'intégralité du système (système, enceintes et adaptateurs sans fil).

### Alimentation

**Le système ne se met pas sous tension.**

- Vérifiez que le cordon d'alimentation est correctement raccordé.

**Le témoin POWER / ON LINE ne s'allume pas.**

**Éteignez l'amplificateur surround et débranchez le cordon d'alimentation de l'amplificateur surround, puis vérifiez les éléments suivants.**

- Les cordons d'enceinte + et - sont-ils court-circuités ?
- Les orifices de ventilation de l'amplificateur surround sont-ils obstrués ?
- Après avoir vérifié les points ci-dessus et réglé les problèmes, branchez le cordon d'alimentation de l'amplificateur surround et mettez-le sous tension. Si vous ne trouvez pas la cause du problème alors que vous avez vérifié tous les points ci-dessus, consultez le revendeur Sony le plus proche.

### Son

**Il n'y a pas de son.**

**Vérifiez l'état du témoin POWER / ON LINE de l'amplificateur surround.**

- vire au vert
  - Le cordon d'enceinte n'est pas raccordé correctement.
  - Vérifiez les raccordements et les réglages des enceintes.
  - Le volume de l'unité principale S-AIR est réglé au minimum.
  - L'unité principale S-AIR est en mode silence.

- Selon la source ou les réglages de l'unité principale S-AIR, l'effet des enceintes peut être atténué.
- Un casque est raccordé.
- clignote en vert
  - L'unité principale S-AIR ne se met pas sous tension.
  - L'unité principale S-AIR est jumelée avec un autre produit S-AIR.
  - L'amplificateur surround est jumelé avec une autre unité principale S-AIR.
  - Vérifiez les ID de l'unité principale S-AIR et de l'amplificateur surround (page 7).
  - Le jumelage n'est pas terminé.
  - La transmission du son est de mauvaise qualité. Déplacez l'amplificateur surround jusqu'à ce que le témoin POWER / ON LINE vire au vert.
  - Éloignez le système de tout autre produit sans fil.
  - Arrêtez d'utiliser un autre produit sans fil.
  - L'émetteur-récepteur sans fil et/ou l'émetteur sans fil sont mal insérés.
- vire au rouge
  - Modifiez le réglage du sélecteur SURROUND SELECTOR (SURROUND ou SURROUND BACK) de l'amplificateur surround afin qu'il corresponde à celui de l'unité principale S-AIR.

**L'unité principale S-AIR ne reproduit aucun son.**

- Le volume est réduit au minimum si vous éteignez l'amplificateur surround alors qu'un casque lui est raccordé avant d'éteindre l'unité principale S-AIR ou si la réception radio est de mauvaise qualité. Dans ces cas, vérifiez la réception radio et réglez de nouveau le volume.

**Le son est parasité par un bourdonnement ou des interférences sont émises.**

- Vérifiez que les produits S-AIR sont correctement raccordés.
- Vérifiez que les cordons de raccordement ne sont pas placés près d'un transformateur et se trouvent à 3 mètres au moins de votre téléviseur ou d'une source d'éclairage fluorescent.
- Éloignez votre téléviseur des autres composants.
- Les fiches et les prises sont sales. Essayez-les avec un chiffon légèrement imbibé d'alcool.
- Nettoyez le disque.

**Aucun son ou un son très faible uniquement est diffusé par les enceintes.**

- Vérifiez les raccordements et les réglages des enceintes.

- Vérifiez le réglage du mode de décodage.
- Selon la source, l'effet des enceintes peut être atténué.
- Le réglage sans fil de l'enceinte n'est pas correct.
- Une source à 2 canaux est en cours de lecture.

### **Vous n'entendez aucun son ou le son est coupé.**

- L'unité principale S-AIR et/ou l'amplificateur surround sont installés sur une étagère en métal, par exemple.
- L'amplificateur surround se trouve à proximité d'un réseau sans fil, d'un four à micro-ondes et d'applications Bluetooth.
- Eloignez les autres appareils de l'amplificateur surround ou mettez-les hors tension.

## **Utilisation**

### **Le système ne fonctionne pas normalement.**

- Débranchez le cordon d'alimentation de la prise murale, puis rebranchez-le quelques minutes plus tard.

## **Spécifications**

### **TA-SA100WR (Amplificateur surround)**

#### **Partie amplificateur**

Modèles américains :

Puissance de sortie efficace en mode surround (référence) :

143 W (par canal à 3 ohms, 1 kHz, 10 % DHT)

Autres modèles :

Mode stéréo (nominal) 80 W + 80 W (à 3 ohms, 1 kHz, 1 % DHT)

Puissance de sortie efficace en mode surround (référence) :

143 W (par canal à 3 ohms, 1 kHz, 10 % DHT)

\* Selon la source, il est possible qu'aucun son ne soit reproduit.

Impédance nominale : 3 - 16 Ω

#### **Généralités**

Puissance de raccordement :

Modèles nord-américains : 120 V CA, 60 Hz

Modèles mexicains : 120 V CA, 60 Hz

Modèles taiwanais : 120 V CA, 50/60 Hz

Modèles latino-américains :

110 - 240 V CA, 50/60 Hz

Autres modèles : 220 - 240 V CA, 50/60 Hz

Consommation électrique Marche : 50 W

Dimensions (approx.) 85 mm × 100 mm × 330 mm (3<sup>3</sup>/<sub>8</sub> po. × 4 po. × 13 po.) (l/h/p) (EZW-RT10 compris)  
85 mm × 100 mm × 345 mm (3<sup>3</sup>/<sub>8</sub> po. × 4 po. × 13<sup>5</sup>/<sub>8</sub> po.) (l/h/p), couvercle des cordons

	d'enceinte et support des cordons d'enceinte compris
Poids (approx.)	1,7 kg (3 li. 12 on.), couvercle des cordons d'enceinte et support des cordons d'enceinte compris

La conception et les spécifications sont sujettes à modification sans préavis.

« S-AIR » et son logo sont des marques de Sony Corporation.

### **EZW-RT10**

Système de communication

	S-AIR
	Spécification version 1.0
Puissance	12,0 mW
Gamme de fréquences	2,4000 GHz - 2,4835 GHz
Méthode de modulation	DSSS
Puissance de raccordement	3,3 V CC, 350 mA
Dimensions (approx.)	50 mm × 13 mm × 60 mm (2 po. × <sup>17</sup> / <sub>32</sub> po. × 2 <sup>3</sup> / <sub>8</sub> po.) (l/h/p)
Poids (approx.)	24 g (1 on.)

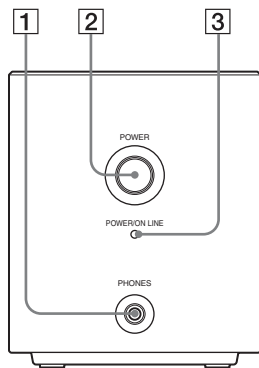
### **EZW-T100**

Système de communication

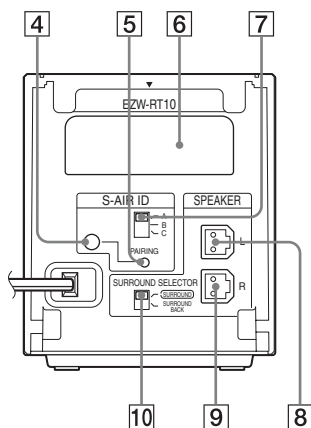
	S-AIR
	Spécification version 1.0
Puissance	12,0 mW
Gamme de fréquences	2,4000 GHz - 2,4835 GHz
Méthode de modulation	DSSS
Puissance de raccordement	4 V CC, 550 mA 5 V CC, 15 mA
Dimensions (approx.)	52 mm × 24 mm × 95 mm (2 <sup>1</sup> / <sub>8</sub> po. × <sup>31</sup> / <sub>32</sub> po. × 3 <sup>3</sup> / <sub>4</sub> po.) (max 77 mm × 24 mm × 95 mm) (3 <sup>1</sup> / <sub>8</sub> po. × <sup>31</sup> / <sub>32</sub> po. × 3 <sup>3</sup> / <sub>4</sub> po.) (l/h/p)
Poids (approx.)	61 g (3 on.)

## Amplificateur surround

**Panneau frontal**



**Panneau arrière**



- 1 Prise PHONES
- 2 Touche POWER (ON/OFF)
- 3 Témoin POWER / ON LINE
- 4 Témoin PAIRING
- 5 Touche PAIRING
- 6 Emplacement pour émetteur-récepteur sans fil (EZW-RT10)
- 7 Sélecteur d'ID S-AIR
- 8 Prise SPEAKER L
- 9 Prise SPEAKER R
- 10 Sélecteur SURROUND SELECTOR



## Índice

Acerca de este manual de instrucciones .....	4
Descripción general .....	5
Desembalaje .....	6
Conexión .....	6
Conexión de los cables de alimentación de ca .....	9
Configuración del sistema inalámbrico .....	9
Solución de problemas .....	13
Especificaciones .....	14
Índice de componentes .....	16

## ADVERTENCIA

**Para reducir el riesgo de incendio o descarga eléctrica, no exponga este aparato a la lluvia ni a la humedad.**

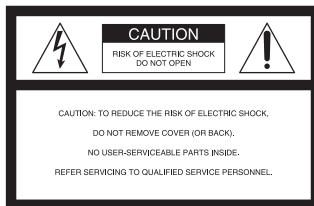
No sitúe el aparato en un espacio cerrado, como una estantería o un armario empotrado.

Solo para uso en interiores.

**Para los clientes en EE. UU.**

**Para el transceptor inalámbrico (EZW-RT10) y el transmisor inalámbrico (EZW-T100)**

Este transmisor no debe colocarse ni funcionar junto con otros transmisores o antenas. Este equipo cumple con los límites de exposición a la radiación que la FCC establece para equipos no controlados y cumple con las directrices de exposición a radiofrecuencias (RF) que establece la FCC en el suplemento C de OET65. Este equipo debe instalarse y utilizarse con una distancia mínima de 20 cm entre el radiador y el usuario (excluyendo las extremidades: manos, muñecas, pies y tobillos).



La traducción del texto de las etiquetas es la siguiente:

**PRECAUCIÓN**  
**RIESGO DE DESCARGA ELÉCTRICA**  
**NO ABRIR**

**PRECAUCIÓN: PARA REDUCIR EL RIESGO DE DESCARGA ELÉCTRICA, NO RETIRE LA CUBIERTA (O TAPA POSTERIOR).**

EL INTERIOR DE LA UNIDAD NO CONTIENE NINGÚN COMPONENTE QUE PUEDA REPARAR EL USUARIO.

ACUDA A PERSONAL CUALIFICADO PARA CUALQUIER TAREA DE REPARACIÓN.



Este símbolo advierte al usuario de la presencia de "voltaje peligroso" sin aislamiento dentro del receptáculo del producto que puede tener la suficiente magnitud para constituir un riesgo de descarga eléctrica para las personas.



Este símbolo advierte al usuario de la presencia de instrucciones importantes de funcionamiento y mantenimiento (servicio técnico) en la documentación que acompaña al aparato.

**Registro del propietario**

Los números de modelo y de serie están situados en el lateral externo de la unidad. Anote el número de serie en el espacio proporcionado para tal efecto. Proporcione estos números siempre que se ponga en contacto con el distribuidor de Sony en relación con este producto.

N.º de modelo WAHT-SA1

N.º de serie \_\_\_\_\_

La marca de la fecha de fabricación, la marca de riesgo de electrocución y los símbolos gráficos asociados se encuentran en la parte inferior externa.

La siguiente declaración de la FCC sólo es aplicable a la versión de este modelo fabricada para su venta en los EE.UU. Es posible que las otras versiones no cumplan con la normativa técnica de la FCC.

## ADVERTENCIA

Este equipo se ha probado y se ha determinado que cumple con las restricciones de los aparatos digitales de Clase B, de acuerdo con la sección 15 del reglamento de la FCC. Estas restricciones se han diseñado para proporcionar protección suficiente contra interferencias perjudiciales en instalaciones domésticas. Este equipo genera, utiliza y puede irradiar energía de radiofrecuencia y, si no se instala y utiliza siguiendo las instrucciones, puede provocar interferencias perjudiciales en las radiocomunicaciones. Sin embargo, no se garantiza que no se produzcan interferencias en una instalación determinada. Si el equipo produce interferencias en la recepción de radio y televisión, lo que se puede determinar conectando y desconectando el equipo, el usuario debe intentar corregirlas mediante uno o varios de los siguientes procedimientos:

- Reorientar o reubicar la antena receptora.
- Aumentar la separación entre el equipo y el receptor.
- Conectar el equipo a una toma o a un circuito distinto al que está conectado el receptor.
- Ponerse en contacto con el distribuidor o con un técnico con experiencia en radio y televisión para obtener asistencia.

## PRECAUCIÓN

Todo cambio o modificación que no esté expresamente aprobado en este manual podría anular la autorización del usuario para utilizar este equipo.

## Instrucciones de seguridad importantes

- 1) Lea estas instrucciones.
- 2) Conserve estas instrucciones.
- 3) Respete todas las advertencias.
- 4) Siga todas las instrucciones.
- 5) No utilice este aparato cerca del agua.
- 6) Limpie la unidad únicamente con un paño seco.

- 7) No bloquee los orificios de ventilación. Instale la unidad según las instrucciones del fabricante.
- 8) No instale la unidad cerca de fuentes de calor como, por ejemplo, radiadores, calefactores, estufas u otros aparatos (incluidos amplificadores) que generen calor.
- 9) Respete la función de seguridad del enchufe polarizado o de tipo de conexión a tierra. Un enchufe polarizado presenta dos patas, una más ancha que la otra. Un enchufe de tipo conexión a tierra presenta dos patas y una tercera de conexión a tierra. La pata ancha o la tercera clavija se suministra para su seguridad. Si el enchufe suministrado no encaja en la toma de corriente, póngase en contacto con un electricista para sustituir la toma de corriente obsoleta.
- 10) Proteja el cable de alimentación situándolo en un lugar fuera del paso o donde no pueda ser aplastado, especialmente los enchufes, los receptáculos y el punto de salida del aparato.
- 11) Utilice únicamente accesorios especificados por el fabricante.
- 12) Utilícelo únicamente con un carro, pedestal, trípode, soporte o mesa especificados por el fabricante o vendidos con el aparato. Si utiliza un carro, tenga precaución al mover la combinación del carro y el aparato para evitar lesiones en el caso de volcarse.



- 13) Desconecte este aparato durante tormentas eléctricas o si no lo va a utilizar durante períodos prolongados de tiempo.
- 14) Ponga cualquier tipo de reparación en manos de personal de asistencia técnica cualificado. Es necesario llevar a cabo una reparación cuando el aparato ha sufrido algún daño como, por ejemplo, si se ha dañado un cable de suministro de alimentación o un enchufe, si se ha vertido un líquido o se ha caído algún objeto dentro del aparato, si el aparato se ha expuesto a la lluvia o a la humedad, y si no funciona normalmente o se ha caído.

## Precauciones

### Fuentes de alimentación

Instale el sistema de modo que el cable de alimentación de ca se pueda desenchufar de la toma de pared de forma inmediata en caso de problemas.

### Ubicación

- No coloque el sistema en lugares cálidos y expuestos a la luz solar directa, con mucho polvo, muy húmedos o extremadamente fríos.
- Tenga cuidado al colocar el sistema en suelos tratados de manera especial (encerados, barnizados con aceites, pulidos, etc.) ya que pueden mancharse o decolorarse.
- Compruebe que existe una circulación adecuada de aire para evitar el recalentamiento interno de la unidad.
- No coloque el sistema sobre superficies (alfombras, mantas, etc.) ni cerca de materiales (cortinas, tapices) que puedan bloquear las ranuras de ventilación.
- No instale el sistema cerca de fuentes de calor, como radiadores o conductos de aire, ni en lugares expuestos a la luz solar directa, polvo excesivo, vibraciones mecánicas o golpes.
- No instale el sistema en posición inclinada. Está diseñado para funcionar sólo en posición horizontal.
- Mantenga el sistema alejado de equipos provistos de imanes potentes, como hornos microondas o altavoces de gran tamaño.
- No coloque objetos pesados sobre el sistema.
- Si utiliza más de un sistema de productos S-AIR, colóquelos separados entre sí para evitar interferencias.
- Instale este amplificador de sonido envolvente y los productos S-AIR a una distancia mínima de 50 cm de las personas.
- Para evitar el riesgo de incendio o electrocución, no coloque sobre el aparato objetos que contengan líquidos como, por ejemplo, un jarrón.
- No coloque el sistema sobre una alfombra, ya que podría decolorarse.
- Si utiliza más de un amplificador de sonido envolvente, no los coloque apilados.

### Limpieza

Limpie la unidad solamente con un paño suave y seco. No utilice estropajos abrasivos, detergente en polvo ni disolventes, como alcohol o benceno.

## Seguridad

- Si se introduce algún objeto en la unidad, desenchúfela y haga que la revise un técnico especializado antes de volver a utilizarla.
- Desenchufe la unidad de la toma de corriente de la pared si no va a utilizarla durante un largo período de tiempo. Para desconectar el cable, tire del enchufe, nunca del cable.

## Acerca de este manual de instrucciones

El modelo WAHT-SA1 es un amplificador de sonido envolvente para productos Sony S-AIR. Este amplificador es para modelos que tengan una ranura “EZW-RT10” o “EZW-T100” en el panel posterior.

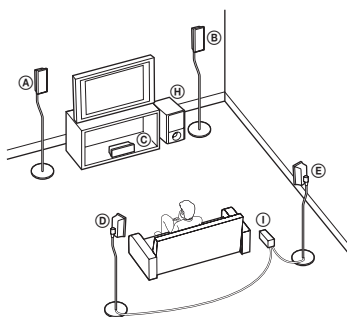


## Descripción general

Este amplificador de sonido envolvente permite utilizar un sistema de 5.1 canales (cinco altavoces y un altavoz potenciador de graves) o un sistema de 7.1 canales (siete altavoces y un altavoz potenciador de graves).

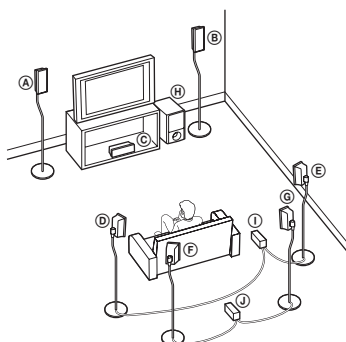
## Utilización de un sistema de 5.1 canales

El sistema S-AIR permite evitar los enredos de cables y mantener así la habitación ordenada.



## Utilización de un sistema de 7.1 canales

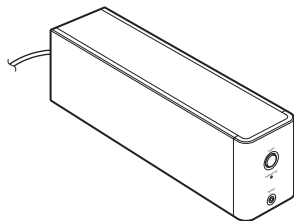
El sistema S-AIR permite utilizar un sistema de 7.1 canales, con dos altavoces de sonido envolvente y dos altavoces de sonido envolvente posteriores.



- Ⓐ Altavoz frontal izquierdo
- Ⓑ Altavoz frontal derecho
- Ⓒ Altavoz central
- Ⓓ Altavoz de sonido envolvente izquierdo
- Ⓔ Altavoz de sonido envolvente derecho
- Ⓕ Altavoz de sonido envolvente posterior izquierdo
- Ⓖ Altavoz de sonido envolvente posterior derecho
- Ⓗ Altavoz potenciador de graves
- Ⓘ Amplificador de sonido envolvente (para altavoces de sonido envolvente)
- ⓵ Amplificador de sonido envolvente (para altavoces de sonido envolvente posteriores)

## Desembalaje

### Amplificador de sonido envolvente TA-SA100WR (1)



### Cubierta del cable del altavoz (1)



### Soporte para el cable del altavoz (1)

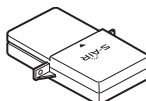


### Adaptadores inalámbricos

Transceptor inalámbrico (EZW-RT10) (1)



Transmisor inalámbrico (EZW-T100) (1)



### Cables de altavoz (2)



### Manual de instrucciones (1)

## Conexión

Conecte el amplificador de sonido envolvente a la unidad principal S-AIR.

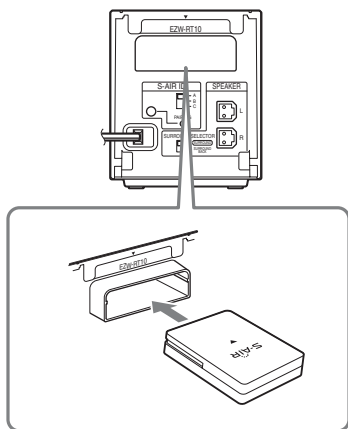
**Antes de la instalación, asegúrese de desconectar los cables de alimentación de ca de todos los productos S-AIR de las tomas de pared.**

### Inserción de los adaptadores inalámbricos

- 1 Inserte el transceptor inalámbrico (suministrado) en la ranura de la parte posterior del amplificador de sonido envolvente.

**Nota**

- Inserte el transceptor inalámbrico (suministrado) con el logotipo de S-AIR hacia arriba. Asimismo, asegúrese de que la marcas ▼ del transceptor inalámbrico (suministrado) y la ranura del amplificador de sonido envolvente estén alineadas durante la inserción.
- No toque los terminales de los adaptadores inalámbricos.



## 2 Inserte el transmisor inalámbrico (suministrado) en la ranura de la unidad principal S-AIR.

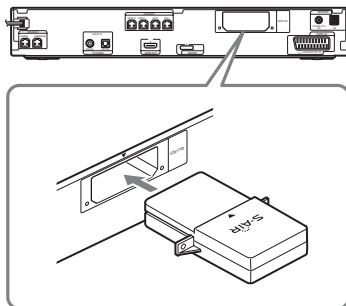
Para obtener más información, consulte el manual de instrucciones de la unidad principal S-AIR.

La ilustración del panel posterior de una unidad principal S-AIR es un ejemplo. No todas las unidades principales S-AIR son iguales.

**Nota**

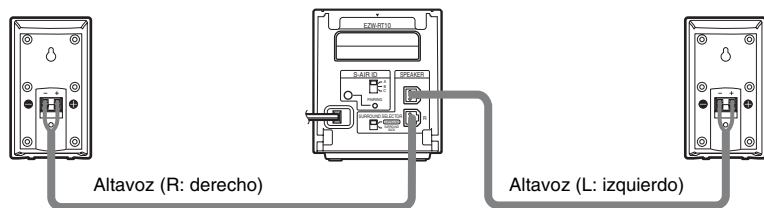
- Inserte el transmisor inalámbrico (suministrado) con el logotipo de S-AIR hacia arriba. Asimismo, asegúrese de que la marcas ▼ del transmisor inalámbrico (suministrado) y la ranura de la unidad principal S-AIR estén alineadas durante la inserción.
- No toque los terminales de los adaptadores inalámbricos.
- Si se suministran adaptadores inalámbricos con la unidad principal S-AIR, no necesitará utilizar el transmisor inalámbrico incluido con el kit de sonido envolvente inalámbrico de la unidad principal S-AIR. Cuando no tenga previsto utilizar el transmisor inalámbrico (suministrado) durante un período de tiempo prolongado, no lo coloque en lugares cálidos o expuestos a la luz directa del sol.

Panel posterior

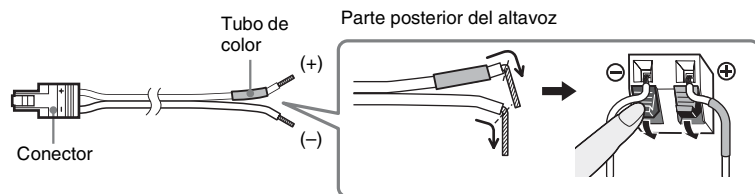


## Conexión de los altavoces

Inserte los conectores de los cables de altavoz (suministrados) en las tomas altavoz correspondientes. Los conectores de los cables de altavoz son del mismo color que las tomas correspondientes. Los altavoces se muestran con fines ilustrativos únicamente. No todos los altavoces son iguales.



El conector y el tubo de color de los cables de altavoz tienen el mismo color que la etiqueta de las tomas correspondientes. Asegúrese de hacer coincidir los cables de altavoz con los terminales adecuados de los altavoces: el cable de altavoz con el tubo de color con  $\oplus$  y el cable de altavoz sin el tubo de color con  $\ominus$ . El aislamiento del cable de altavoz no debe quedar atrapado en los terminales de altavoz.



Cuando realice la conexión con el amplificador de sonido envolvente, inserte el conector hasta que encaje.

### Nota

- Si utiliza este kit de sonido envolvente inalámbrico, no conecte los cables de altavoz a las tomas del altavoz de sonido envolvente del sistema Home Theatre (DAV) de Sony.

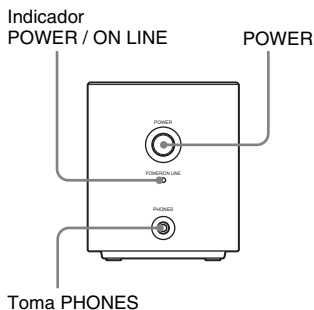
## Conexión de los cables de alimentación de ca

Antes de conectar los cables de alimentación de ca de la unidad principal S-AIR y el amplificador de sonido envolvente a las tomas de pared, asegúrese de que todos los altavoces estén conectados.

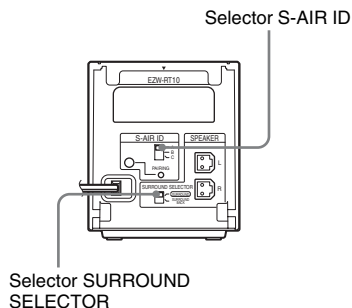
## Configuración del sistema inalámbrico

Para utilizar el sistema inalámbrico, deberá configurar el amplificador de sonido envolvente y la unidad principal S-AIR. Antes de realizar la configuración, asegúrese de que los adaptadores inalámbricos están correctamente insertados en la unidad principal S-AIR y en el amplificador de sonido envolvente.

### Panel frontal



### Panel posterior



## Ajuste de identificadores

Si hace coincidir el identificador del amplificador de sonido envolvente y de la unidad principal S-AIR, podrá establecer la transmisión de sonido. Es posible utilizar varios productos S-AIR mediante el ajuste de un identificador diferente para cada producto.

## Configuración de la unidad principal S-AIR

- 1 Encienda la unidad principal S-AIR.**  
El sistema se enciende.
- 2 Configure la unidad principal S-AIR para que esté lista para el ajuste de identificadores.**
- 3 Seleccione el identificador de la unidad principal S-AIR.**

Es posible seleccionar cualquier identificador (A, B o C). Para obtener más información, consulte el manual de instrucciones de la unidad principal S-AIR.

## Configuración del amplificador de sonido envolvente

- 1 Ajuste el selector SURROUND SELECTOR (SURROUND o SURROUND BACK) del amplificador de sonido envolvente para que coincida con la unidad principal S-AIR.**
- 2 Ajuste el selector S-AIR ID del amplificador de sonido envolvente para que coincida con el identificador (A, B o C) de la unidad principal S-AIR.**
- 3 Pulse POWER en el amplificador de sonido envolvente.**

El indicador POWER / ON LINE se ilumina en verde. De lo contrario, consulte “Comprobación del estado de la transmisión” (página 10).

- 4 Configure los altavoces.**

Si la unidad principal S-AIR dispone de función de calibración automática, ejecútela. Si la unidad principal S-AIR no dispone de función de calibración automática, ajuste la configuración de altavoces apropiada. Para obtener más información, consulte el manual de instrucciones de la unidad principal S-AIR.

## Comprobación del estado de la transmisión

El estado de la transmisión de sonido entre la unidad principal S-AIR y el amplificador de sonido envolvente se puede comprobar mediante el indicador POWER / ON LINE del amplificador de sonido envolvente.

Indicador POWER / ON LINE	Estado
Se ilumina en verde	La transmisión de sonido está establecida.
Parpadea en verde	La transmisión de sonido no está establecida. Para obtener información detallada, consulte “Solución de problemas” (página 13).
Se ilumina en rojo	El amplificador de sonido envolvente no emite sonido. Para obtener información detallada, consulte “Solución de problemas” (página 13).
Se apaga	El amplificador de sonido envolvente se apaga o se activa la protección. Para obtener información detallada, consulte “Solución de problemas” (página 13).

## Audición de sonido mediante los auriculares

Es posible escuchar el sonido del sistema en un lugar alejado de la unidad principal S-AIR mediante la conexión de los auriculares a la toma PHONES del amplificador de sonido envolvente.

### Nota

- Si conecta los auriculares al amplificador de sonido envolvente, no se escuchará el sonido de dicho amplificador ni el de la unidad principal S-AIR a través los altavoces del sistema.
- El volumen de la unidad principal S-AIR se minimizará si se apaga el amplificador de sonido envolvente con los auriculares conectados o si existe una mala recepción de la onda de radio. En ambos casos, compruebe la recepción de la onda de radio y ajuste el volumen otra vez.

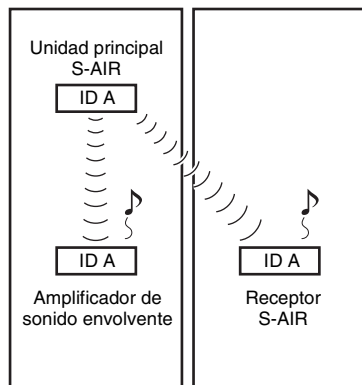
## Evasión de la transmisión a dispositivos cercanos (emparejamiento)

Si sus vecinos también tienen productos S-AIR y sus identificadores coinciden con los suyos, es posible que reciban el sonido de su unidad principal S-AIR. Para evitarlo, puede identificar sus productos S-AIR mediante la operación de emparejamiento.

### ■ Antes de la operación de emparejamiento (ejemplo)

La transmisión de sonido se establece mediante el identificador.

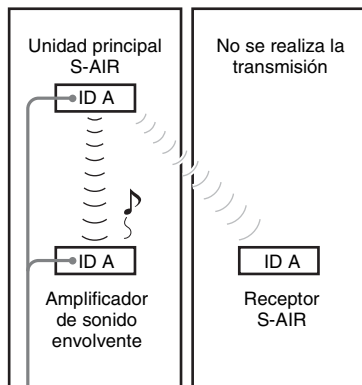
**Sala donde se encuentra**                      **Ubicación de equipos cercanos**



### ■ Después de la operación de emparejamiento (ejemplo)

La transmisión de sonido se establece entre el amplificador de sonido envolvente y la unidad principal S-AIR en la que se ha realizado la operación de emparejamiento.

**Sala donde se encuentra**                      **Ubicación de equipos cercanos**



Emparejamiento

### 1 Encienda la unidad principal S-AIR y el amplificador de sonido envolvente.

El sistema se enciende.

### 2 Haga coincidir los identificadores de la unidad principal S-AIR y el amplificador de sonido envolvente.

### 3 Configure la unidad principal S-AIR para que esté lista para el emparejamiento.

Para obtener más información, consulte el manual de instrucciones de la unidad principal S-AIR.

El indicador POWER / ON LINE del amplificador de sonido envolvente parpadea en verde.

### 4 Pulse PAIRING en el panel posterior del amplificador de sonido envolvente.

El indicador PAIRING parpadea en rojo al iniciarse el emparejamiento. Al establecer la transmisión de sonido, el indicador POWER / ON LINE se ilumina en verde y el indicador PAIRING se enciende.

Si utiliza más de un amplificador de sonido envolvente, realice también en ellos los pasos 3 y 4.

#### Nota

- Si realiza la operación de emparejamiento entre el amplificador de sonido envolvente y otra unidad principal S-AIR, se cancelará la transmisión de sonido establecida por el identificador.
- El emparejamiento no se cancelará salvo que se modifique el ajuste del identificador.

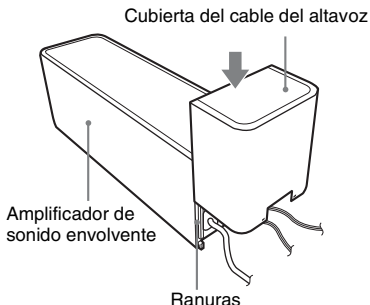
#### Consejo

- Para pulsar el botón PAIRING, se puede utilizar un instrumento fino, como un clip.

## Colocación de la cubierta del cable del altavoz del amplificador de sonido envolvente

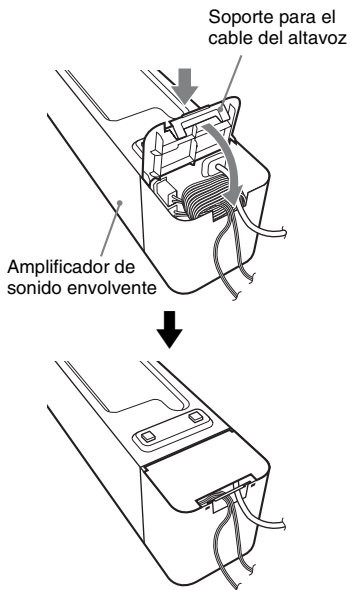
Después de conectarlo, puede colocar la cubierta en el amplificador de sonido envolvente para organizar y almacenar los cables de altavoz sobrantes.

- 1 Para colocar la cubierta del cable de altavoz, deslícela hacia abajo por las ranuras de los bordes del amplificador de sonido envolvente.**



Presione la cubierta del cable del altavoz hasta que escuche un clic. Coloque el amplificador de sonido envolvente al revés y guarde los cables en la cubierta del cable de altavoz.

- 2 Inserte las lengüetas del soporte para el cable del altavoz en las ranuras de la cubierta del cable del altavoz y presiónelo hasta que encaje en su sitio.**



#### Nota

- Para retirarla, extraiga el soporte del cable de altavoz y, a continuación, retire la cubierta del cable de altavoz. Para extraer el soporte del cable de altavoz, presione ligeramente el agarre del soporte y despéguelo. Para retirar la cubierta del cable de altavoz, abra ligeramente los bordes de la cubierta y deslícela hacia abajo.
- No fuerce en exceso los cables al almacenarlos.



## Solución de problemas

Si encuentra alguna de las siguientes dificultades mientras utiliza el sistema, utilice esta guía de solución de problemas para resolver el problema antes de solicitar asistencia técnica. Si el problema persiste, consulte con el distribuidor Sony más próximo.

Tenga en cuenta que el personal técnico puede quedarse con las piezas que hayan sido reemplazadas durante la reparación. En caso de que se produzca un problema con el amplificador de sonido envolvente, haga que un distribuidor de Sony compruebe todo el sistema (sistema, altavoces y adaptadores inalámbricos).

### Alimentación

#### La unidad no se enciende.

- Compruebe que el cable de alimentación de ca está conectado firmemente.

#### El indicador POWER / ON LINE no se enciende.

**Desactive el amplificador de sonido envolvente, desconecte el cable de alimentación de ca del amplificador de sonido envolvente y, a continuación, compruebe los siguientes elementos.**

- ¿Se ha producido un cortocircuito en los cables de altavoz + y -?
- ¿Existe algún objeto que bloquee los orificios de ventilación del amplificador de sonido envolvente?
- Después de comprobar los elementos indicados anteriormente y solucionar los problemas existentes, conecte el cable de alimentación de ca del amplificador de sonido envolvente y enciéndalo. Si no puede encontrar la causa del problema después de comprobar los puntos anteriores, póngase en contacto con el distribuidor de Sony más próximo.

### Sonido

**No se escucha ningún sonido. Compruebe el estado del indicador POWER / ON LINE del amplificador de sonido envolvente.**

- Se ilumina en verde

- El cable de altavoz no está firmemente conectado.
- Compruebe las conexiones y los ajustes de los altavoces.
- El volumen de la unidad principal S-AIR está al mínimo.
- La unidad principal S-AIR está silenciada.
- En función de la fuente o de la configuración de la unidad principal S-AIR, es posible que el efecto de los altavoces sea menos perceptible.
- Los auriculares están conectados.
- Parpadea en verde
  - La unidad principal S-AIR no está encendida.
  - La unidad principal S-AIR se encuentra emparejada con otro dispositivo S-AIR.
  - El amplificador de sonido envolvente se encuentra emparejado con otra unidad principal S-AIR.
  - Confirme los identificadores de la unidad principal S-AIR y el amplificador de sonido envolvente (página 9).
  - No se ha completado la operación de emparejamiento.
  - La transmisión de sonido es de mala calidad. Mueva el amplificador de sonido envolvente de modo que el indicador POWER / ON LINE se encienda en verde.
  - Aleje el sistema de otros dispositivos inalámbricos.
  - Interrumpa la utilización de otros dispositivos inalámbricos.
  - El transceptor inalámbrico o el transmisor inalámbrico no están insertados correctamente.
- Se ilumina en rojo
  - Cambie el selector SURROUND SELECTOR (SURROUND o SURROUND BACK) del amplificador de sonido envolvente para que coincida con la unidad principal S-AIR.

#### No se escucha el sonido a través de la unidad principal S-AIR.

- El volumen se ajusta al mínimo cuando el amplificador de sonido envolvente con auriculares conectados se apaga antes de apagar la unidad principal S-AIR o si la recepción de radio es débil. En estos casos, compruebe la recepción de la onda de radio y ajuste el volumen otra vez.

#### Se oye un ruido o zumbido intenso.

- Compruebe que los productos S-AIR están firmemente conectados.
- Compruebe que los cables de conexión estén alejados de un transformador o motor y, como mínimo, a 3 metros del televisor o de una luz fluorescente.

- Aleje el televisor de los componentes de audio.
- Las clavijas y las tomas están sucias. Límpielas con un paño ligeramente humedecido con alcohol.
- Limpie el disco.

---

#### **No se oye el sonido o se oye con un nivel muy bajo a través de los altavoces.**

- Compruebe las conexiones y los ajustes de los altavoces.
- Compruebe el ajuste del modo de decodificación.
- En función de la fuente, es posible que el efecto de los altavoces sea menos apreciable.
- El ajuste inalámbrico del altavoz no es correcto.
- Se está reproduciendo una fuente de 2 canales.

---

#### **El sonido no se oye o se corta.**

- La unidad principal S-AIR y/o el amplificador de sonido envolvente está instalado en una ubicación como, por ejemplo, un estante de metal.
- Existen redes LAN inalámbricas, microondas, aplicaciones Bluetooth, etc., cerca del amplificador de sonido envolvente.
- Aleje los otros componentes del amplificador de sonido envolvente o apáguelos.

---

## **Funcionamiento**

#### **El sistema no funciona correctamente.**

- Desconecte el cable de alimentación de ca de la toma de pared y vuelva a conectarlo después de varios minutos.

## **Especificaciones**

### **TA-SA100WR**

#### **(Amplificador de sonido envolvente)**

#### **ESPECIFICACIONES DE POTENCIA DE AUDIO**

##### **para el modelo estadounidense**

##### **SALIDA DE POTENCIA Y DISTORSIÓN**

##### **ARMÓNICA TOTAL:**

Con cargas de 3 ohmios, ambos canales dirigidos, de 120 a 20.000 Hz; potencia RMS nominal de 50 vatios por canal como mínimo, con un máximo del 0,7 % de distorsión armónica total desde 250 milivatios hasta la salida nominal.

#### **Sección del amplificador**

Modelos estadounidenses:

Potencia de salida RMS en el modo de sonido envolvente (referencia):

: 143 W (por canal a 3 ohmios, 1 kHz, 10 % THD)

Otros modelos:

Modo estéreo (nominal) 80 W + 80 W (a 3 ohmios, 1 kHz, 1 % THD)

Potencia de salida RMS en el modo de sonido envolvente (referencia):

: 143W (por canal a 3 ohmios, 1 kHz, 10 % THD)

*\* Es posible que no se emita ningún sonido en función de la fuente.*

Impedancia nominal: de 3 a 16  $\Omega$

## Generales

Requisitos de alimentación:	
Modelos de Norteamérica:	120 V de ca, 60 Hz
Modelos de México:	120 V de ca, 60 Hz
Modelos de Taiwán:	120 V de ca, 50/60 Hz
Modelos de Latinoamérica:	de 110 a 240 V de ca, 50/60 Hz
Otros modelos:	de 220 V a 240 V de ca, 50/60 Hz
Consumo de energía	Encendido: 50 W
Dimensiones (aprox.)	85 mm × 100 mm × 330 mm (3 <sup>3</sup> / <sub>8</sub> in × 4 in × 13 in) (an/al/ prf) (incluido el modelo EZW- RT10) 85 mm × 100 mm × 345 mm (3 <sup>3</sup> / <sub>8</sub> in × 4 in × 13 <sup>5</sup> / <sub>8</sub> in) (an/ al/prf) incluida la cubierta y el soporte del cable de altavoz
Peso (aprox.)	1,7 kg (3 lb 12 oz) incluida la cubierta y el soporte del cable de altavoz

## EZW-RT10

Sistema de comunicación	S-AIR Especificación versión 1.0
Salida	12,0 mW
Banda de frecuencia	2,4000 GHz - 2,4835 GHz
Método de modulación	DSSS
Requisitos de alimentación	3,3 V de cc, 350 mA
Dimensiones (aprox.)	50 mm × 13 mm × 60 mm (2 in × <sup>17</sup> / <sub>32</sub> in × 2 <sup>3</sup> / <sub>8</sub> in) (an/al/ prf)
Peso (aprox.)	24 g (1 oz)

## EZW-T100

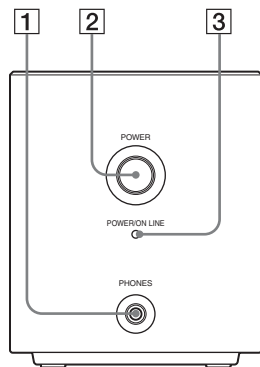
Sistema de comunicación	S-AIR Especificación versión 1.0
Salida	12,0 mW
Banda de frecuencia	2,4000 GHz - 2,4835 GHz
Método de modulación	DSSS
Requisitos de alimentación	4 V de cc, 550 mA 5 V de cc, 15 mA
Dimensiones (aprox.)	52 mm × 24 mm × 95 mm (2 <sup>1</sup> / <sub>8</sub> in × <sup>31</sup> / <sub>32</sub> in × 3 <sup>3</sup> / <sub>4</sub> in) (máx. 77 mm × 24 mm × 95 mm) (3 <sup>1</sup> / <sub>8</sub> in × <sup>31</sup> / <sub>32</sub> in × 3 <sup>3</sup> / <sub>4</sub> in) (an/al/prf)
Peso (aprox.)	61 g (3 oz)

El diseño y las especificaciones están sujetos a cambios sin previo aviso.

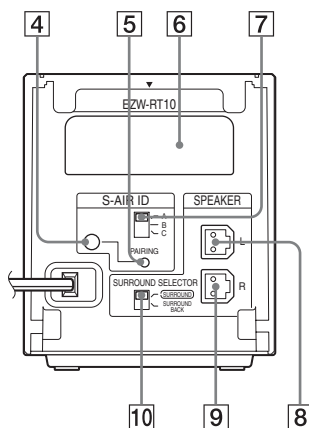
“S-AIR” y su logotipo son marcas comerciales de Sony Corporation.

## Amplificador de sonido envolvente

**Panel frontal**



**Panel posterior**



- 1 Toma PHONES
- 2 Botón POWER (encendido/apagado)
- 3 Indicador POWER / ON LINE
- 4 Indicador PAIRING
- 5 Botón PAIRING
- 6 Ranura del transmisor inalámbrico (EZW-RT10)
- 7 Selector S-AIR ID
- 8 Toma SPEAKER L
- 9 Toma SPEAKER R
- 10 Selector SURROUND SELECTOR









\* 3 2 8 6 0 5 2 1 2 \* (1)